



SMART ROOM TEMPERATURE & HUMIDITY SENSOR

TP-RS-RHT-BMS FEATURES

- Modern, slimline design - only 19mm deep
- Accurate measurement of internal room temperature & humidity
- BACnet MS/TP & Modbus RTU communications
- Polygiene® anti-microbial product protection
- Quick and simple installation

SPECIFICATION

Material:	ABS (Flame retardant)
Power Supply:	24VAC/DC +/- 10% (AC supply required if using DO)
Power Consumption:	30mA (Does not include DO load if used)
Outputs:	BACnet MS/TP or Modbus RTU 1 x DO rated at 80mA
Inputs:	1 x DI
Accuracy:	Humidity: +/- 2%RH Temperature: +/- 0.2°C
CO2 Sensing:	NDIR
IP Protection:	IP30
Mounting Location:	Wall mounted, 1.5m from floor level
Environmental Conditions:	-10 to 60°C 0 to 95%RH Non-condensing
Connections:	Pluggable screw terminals for 0.3 to 1.5mm cable
Recommended Cable:	Screened, twin twisted pair 0.75mm to 1mm. Screen earthed at controller end only.
BACnet Baud Rates:	9600, 19200, 38400, 76800
Modbus Baud Rates:	9600, 19200, 38400, 57600
Country of Origin:	UK
Product Code:	TP-RS-RHT-BMS

Featuring a sleek, modern and slimline design, the TP-RS-RHT-BMS Gen 3 humidity and temperature sensor is designed to measure internal relative humidity and temperature conditions.

The sensors also incorporate in-built, networkable I/O with 1 x Digital Output (DO) and 1 x Digital Input (DI) allowing flexible on/off environmental and non-environmental control loops to be set up via the BACnet communications.

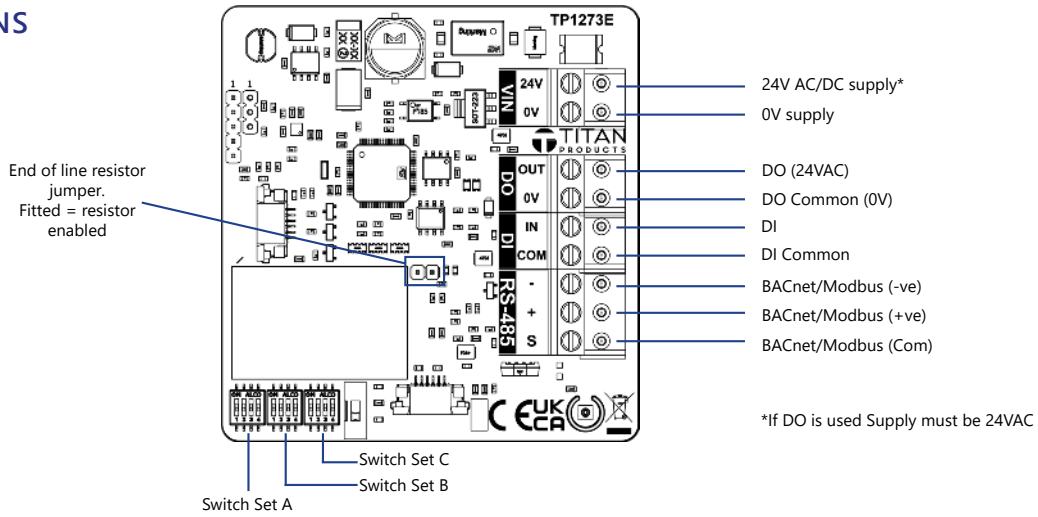
Quick release button, tamperproof features and pluggable terminals aid the install process and maintenance of the sensors.

All room housings within the Gen 3 product line incorporate certified Polygiene® product protection, designed to pro-actively inhibit the growth of bacteria on the sensor surface.

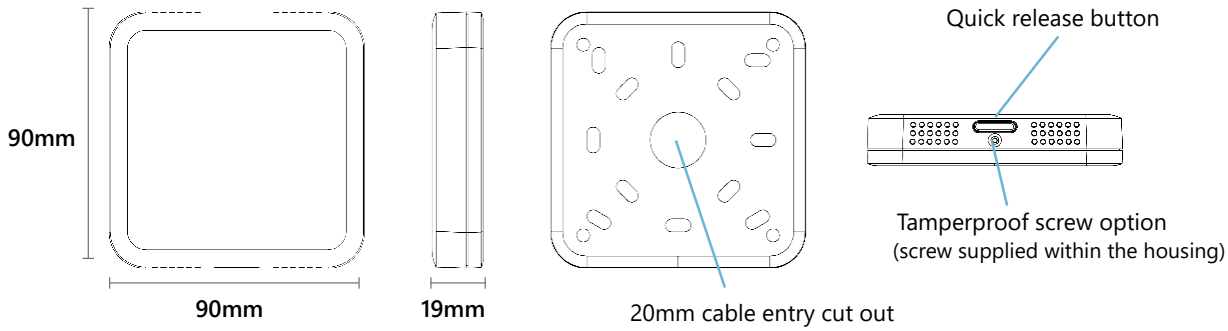
Easily addressed via the on-board DIP switches, the sensors are ideal for a wide range of applications that require accurate, networkable monitoring across open systems along with control on demand in building types such as schools, universities, retail and offices.



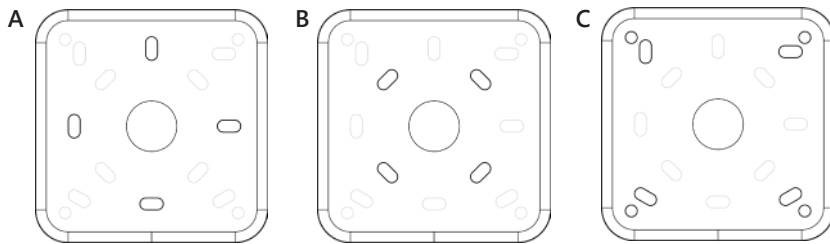
CONNECTIONS



DIMENSIONS



Mounting Options



Option:	Mounting type:	Screw required:
A	Standard UK back box	M3.5 countersunk screw
B	Standard European back box	M3.5 countersunk screw
C	Direct to wall (no back box)	No. 6 (3.5mm counter-sunk wood screw)

For further install and setup information please see Setup & Install Guide.