



NETMASTER BACNET MS/TP TO BACNET/IP ROUTER

TP-NM-D FEATURES

- High speed BACnet MS/TP to BACnet/IP routing
- 10/100 Mbps ethernet communications
- Supports MS/TP baud rates from 9,600 to 76,800 bps
- Broadcast Management Device (BBMD)
- Foreign Device Registration (FDR)
- Embedded web server for setup
- Routing for 2 x IP networks is available as standard

The TP-NM-D NetMaster range provides high speed BACnet MS/TP to BACnet/IP routing. The device supports baud rates from 9,600 to 76,000bps along with BACnet Broadcast Management (BBMD) and Foreign Device Registration (FDR) networking capabilities.

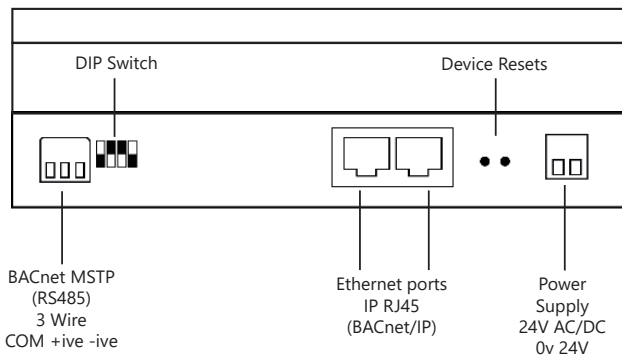
The NetMaster is setup via its own internal web server and supports routing for 2 x IP networks via its 10/100Mbps ethernet socket.

SPECIFICATION

Power Supply	24V AC/DC +/-10%
Power Consumption	0.5A @ 24VAC/DC
Connections	2 x RJ45 10/100 Mbps shielded Fast-Ethernet Port 1 x serial port EIA-485 BACnet MS/TP 1 x USB (OTG) used for production programming
LED Indication	RS485 Tx/Rx Power LED
Network Bias Resistors	560 Ohms (DIP Switch)
Termination Resistor	120 Ohms (DIP Switch)
Operating Temperature	5 – 40°C
Operating Humidity	20 – 80% RH Non-condensing
Operating System	Linux
IP Rating	IP20
Enclosure Plastic Rating	UL94-VO
Mounting	DIN Rail
Dimensions	159 (w) x 90 (h) x 58 (d) mm
Country of Origin	UK
Product Code	TP-NM-D



CONNECTIONS



DIP SWITCH SETTINGS

Each RS485 port has a dedicated 4-way DIP switch that is used to terminate and bias the network.



To Terminate the MSTP network with 120R resistor, switches 2&3 should be on (down)

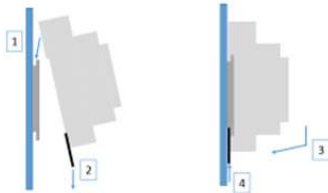


To apply Bias to the MSTP network, switches 1&4 should be on (down)

MOUNTING & INSTALL

The NetMaster product must be installed by a competent and suitably qualified person in a location/enclosure suitable to provide protection to the device and network from unauthorized access/tampering that could lead to reduced network security.

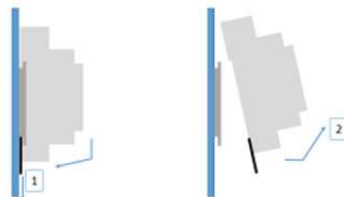
Fixing to DIN rail



1. Fix top clips over DIN rail
2. Pull down bottom clips using screwdriver
3. Close controller towards DIN rail
4. Push up bottom clip to fix securely to DIN rail

Must be mounted horizontally

Removing from DIN rail



1. Pull down bottom clip with screwdriver
2. Lift controller away from DIN rail

COMMISSIONING

The setup screens are accessed through a web browser once the TP-NM-D is connected to the same local IP network. Enter the IP address (192.168.1.151 default) into the URL address bar within a web browser and when prompted enter the username and password:

Default user name: admin

Default password: admin

At first login, you will be prompted to change the password. This is mandatory.

Full commissioning details can be found in the manual - contact Titan Products for this.

For further install and setup information please contact technical@titanproducts.com