

# Central Control Screen (CCS-7)



The CCS-7 Central Control Screen provides a high performance, intuitive and multi-zone user experience for comfort control applications when utilised alongside the Titan Products NetMaster 2000 and FCU-503 range of controllers.

Offering multi-zone adjustment of set points and control modes along with the setup of flexible time schedules and holiday periods via a fully capacitive touch screen, the in-wall 7 inch screen delivers a complete comfort control interface.

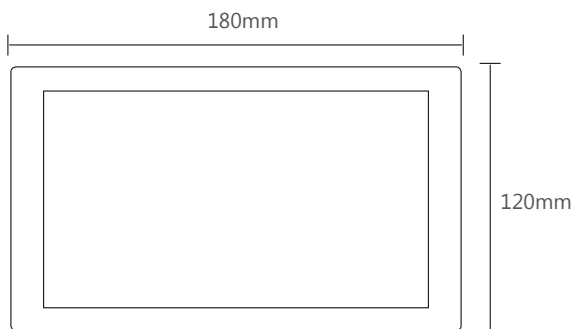
Available in attractive white or black finishes, the CCS-7 is provided with a wall bracket for ease of installation.

## Specification

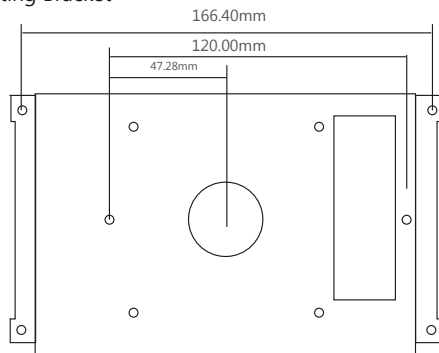
Operating System:	Android 6.0
Display:	7" IPS Display
Display Resolution:	1024 x 600
CPU:	8-core ARM Cortex CPU, 1.2Ghz
Power Supply:	9-36V DC
Network Connection:	Wi-Fi (802.11 b/g/n) Ethernet IP (RJ45)
Ethernet Interface:	RJ45
Software Run Mode:	Auto-boot when powered
Operating Temperature:	5 - 50°C
Operating Humidity:	10 - 80% non-condensing
Mounting:	Mounting bracket supplied
IP Rating:	IP20
Dimensions:	See below
Product Code:	TP-CCS-7-B (Black) TP-CCS-7-W (White)

Note: The Central Control Screen is designed for use with Titan Products BACnet controllers only. Contact Titan Products for full compatibility details.

## Dimensions



## Mounting Bracket



## Time Scheduling

- Set different time schedules for each zone
- Set different temperatures for each time schedule event
- Multiple time scheduling events for each day
- Set holiday off time periods, with frost protection and temperature limit options



## Features

- Multi-zone comfort control user interface.
- Wi-Fi and Ethernet communication options.
- 7" Capacitive touch screen.
- Fully compatible with Titan NetMaster 2000 and FCU-503 comfort controls solution.
- Branding options available.

## Finishes

Available in black or white finishes.

