

Discreet Temperature Sensor



The flush mounted temperature sensor is designed to be wall mounted and offers discreet indoor temperature sensing.

The sensor can be skimmed and painted over to match any wall colour making it perfect for any residential, commercial or public building application where a discreet finish is required.

The sensor is also anti-ligature making it suitable for applications such as prisons and hospitals.

The TPFMTS is available with a wide range of thermistor elements. The 10K3 version is fully compatible with Titan Products temperature controllers.

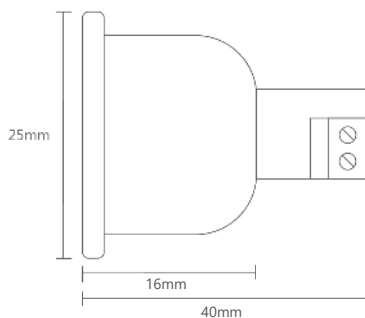
Specification

Material Body:	Low density polyethylene
Sensing Elements:	All NTC, PT100 and PT1000 thermistor types available
Accuracy:	+/- 0.2% @ 70°C thermistor
Operating Temperature:	-10 to +70°C
Terminals:	1.0mm recommended 2.5mm max
Location:	Wall mounted
Dimensions (mm):	25mmH x 25W x 40D (shoulder of sensor designed to fit a 20mm hole)
Country of Origin:	UK
Product Code:	TPFMTS (terminal block version) TPFMTS/FL (flying lead version)

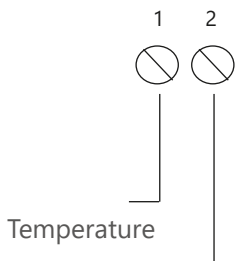
Features

- Discreet mounting
- Anti-ligature properties
- Wide range of sensing elements available
- Fully compatible with Titan Products controllers

Dimensions



Wiring



Flying Lead Option Available

The TPFMTS is also available with a 2 wire, resistive flying lead assembly (TPFMTS/FL). The flying lead is 5m as standard however other lengths are available.



Installation Note

For best results ensure the sensor head is exposed to the measured space. If skimming over the sensor please ensure the skim is no more than 3mm thick.

Skimming over the sensor will impact on the sensor response time to temperature changes within the space.