

External Light Level Sensor



The External Light Level Sensors are designed to measure external light levels for applications such as car parks and security lighting. The sensor housing is rated at IP65 for use in all weather conditions.

With outputs of 4-20mA or 0-10V the light level sensor is multi-range which is selectable at the time of installation. The sensors are suitable for use with most BMS controllers.

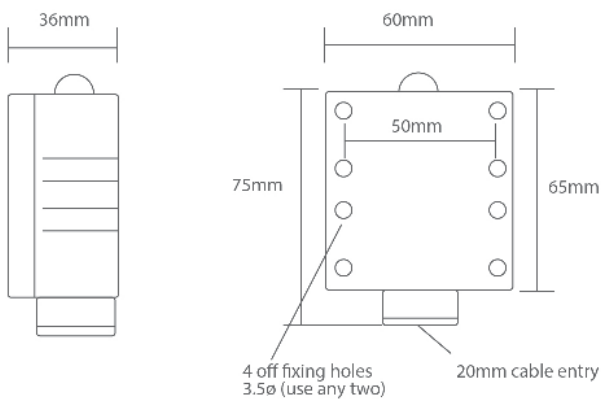
Specification

Material Body:	Flame Retardant polycarbonate (IP65)
Output:	0-10V or 4-20mA
Power Supply:	4-20mA: 12-30V DC 0-10V: 24V AC or DC +/- 10%
Measurement:	Photodiode
Operating Temperature:	-50 to +50°C
Terminals:	1.0mm recommended 2.5mm max
Mounting:	Surface Wall
Location:	External where required
Dimensions (mm):	65H x 50W x 36D
Country of Origin:	UK
Product Codes:	TPLLO (4-20mA) TPVLL0 (0-10V)

Selectable Ranges

Range 1	0-1000 Lux
Range 2	0-2000 Lux
Range 3	0-4000 Lux
Range 4	0-8000 Lux
Range 5	0-20000 Lux

Dimensions



Wiring

TPLLO

2 wire loop powered 4-20mA (bi-directional)



- +
Input Impedance <100 ohms>

TPVLL0

3 wire 0-10V 24C AC/DC



0V 24V
0-10V output