

Wall Mounted Occupancy Sensor



The TP-WAOC/VF Wall Mounted Occupancy Sensor is designed to activate whenever movement is detected within an internal space.

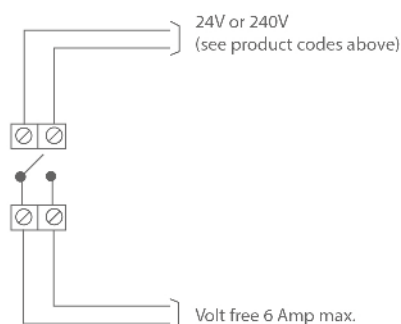
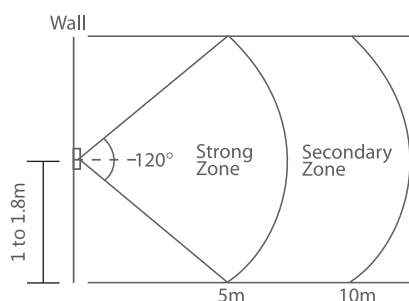
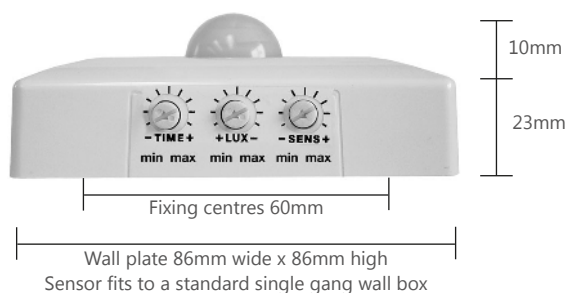
The incorporation of a light level sensor enables the occupancy switch to be used for dual purposes to switch ON/OFF such items as lights, ventilation fans and air conditioning.

The sensor is available in 24V or 240V options.

Specification

Material Body:	White polycarbonate
Output:	Volt free relay contacts max 240V 6A inductive
Power Supply:	24V or 240V \pm 15% AC 50Hz
Power Consumption:	120mA
Direction Range:	5-10 metres
Timer Delay (off):	10 seconds to 40 min
Operating Temperature:	-10 to 50°C
Connections:	See below
Dimensions (mm):	86H x 86W x 30D
Country of Origin:	UK
Product Codes:	TP-WAOC/24V/F TP-WAOC/240V/F

Connections and Dimensions



Installation and Settings

The TP-WAOC/VF is designed to activate when ever movement is detected incorporation of a light level sensor enables the occupancy switch to be used for dual purposes to switch on/off such items as lights, ventilation fans, air-conditioning etc.

Before installation read these notes and ensure that all power is switched off from the circuits you are to work on.

Connect the occupancy sensor as shown in the wiring diagram and fit it into the wall box. Switch on the power and set the Time and Lux level to minimum. Move away from the sensor activation zone for 2 minutes then test the sensor by walking into the detection zone. After testing is complete the sensor should be set to the required levels.

TIME: This setting determines how long the sensor output is activated "ON" after the last detected movement. The range is from 10 seconds to 40 minutes in nine discrete steps as follows: - 10, 20, 40, 80 160 seconds, 5, 10, 20, 40 minutes. (setting are \pm 20%)

LUX: The in-built photocell is used for light and occupancy detection. The application of this is to prevent the output activation if there is sufficient daylight in the room. The higher the setting the darker the room must be before switch on.

This setting is used for light control for other applications such as heating, ventilation and air-conditioning turn the Lux setting to minimum.

SENS: This is the range and sensitivity of the occupancy detector. Turn clockwise for maximum range and sensitivity.