



RAIN DETECTOR SENSOR For use with LDM1

TPRD1 FEATURES

- Effective rain detection
- Gold plated element
- Designed to work with Titan's Liquid Detection Module (LDM1)

The 24V powered TPRD1 detects precipitation and provides a proprietary output to our Liquid Detection Module (LDM1). *If a relay output is required then please refer to the TPRD1/A datasheet.*

Please ensure that the TPRD1 is mounted at an angle of 30° (+/- 5°)

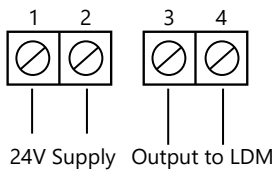
The sensor will remain active for 1min after a dry signal is received by the controller. This overrun eradicates false triggering of the controller.

SPECIFICATION

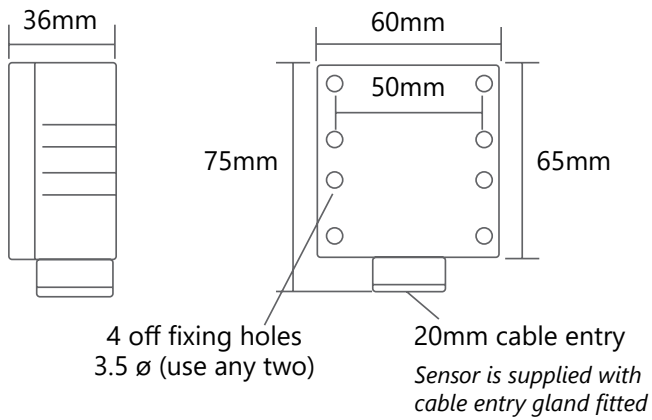
| | |
|--------------------|---|
| Power Supply: | 24V AC/DC |
| Output: | 2-wire communication to LDM1 |
| Power Consumption: | 40mA |
| Material: | Gold plated element IP65 flame retardant polycarbonate housing |
| Terminals: | 1.5mm |
| Country of Origin: | UK |
| Product Codes: | TPRD1 |



CONNECTIONS



DIMENSIONS



For further install and setup information please contact technical@titanproducts.com