



## RAIN DETECTOR SENSOR With relay output

### TPRD1/A FEATURES

- Effective rain detection
- Gold plated element
- Incorporated heater
- Designed to provide a relay output to Titan or third party products

The TPRD1/A Rain Detection Sensor is specifically designed to detect precipitation and provides a relay output when rain is detected that can be connected to digital inputs on third party products or Titan Products devices such as our Smart IO modules or BACnet Natural Ventilation Controllers.

The detection head is gold plated to prevent corrosion.

Powered by a 24V AC or DC supply, the detector head incorporates a heater to dry it off after the rain has stopped. A delay on/off timer is adjustable from 5-30 seconds.

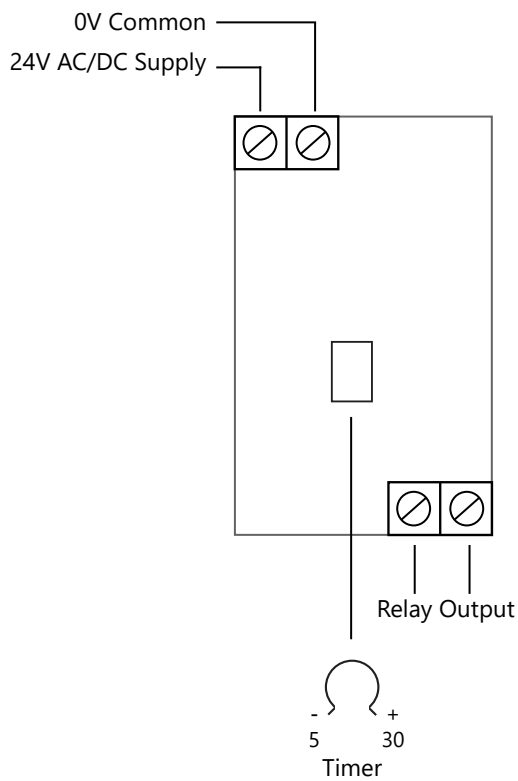
Please ensure that the TPRD1 is mounted at an angle of 30° (+/- 5°)

### SPECIFICATION

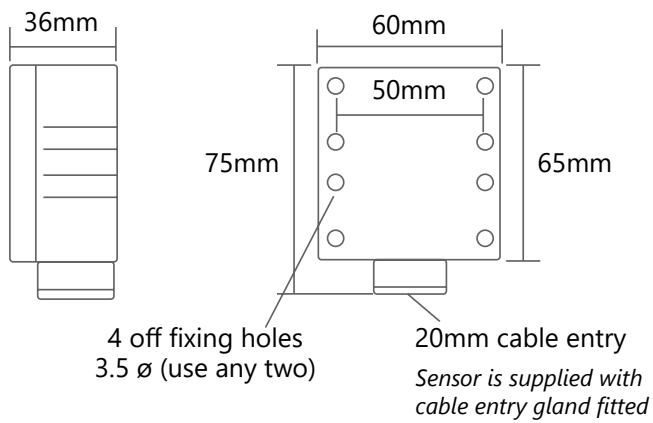
Power Supply:	24V AC/DC
Output:	Volt free output activated on detection of rain
Power Consumption:	60mA
Material:	Gold plated element IP65 flame retardant polycarbonate housing
Terminals:	1.5mm
Country of Origin:	UK
Product Codes:	TPRD1/A



## CONNECTIONS



## DIMENSIONS



For further install and setup information please contact [technical@titanproducts.com](mailto:technical@titanproducts.com)