



## OUTPUT MODULE (IO/AX4.1)

### IO/AX4.1 FEATURES

- Convert 1 x 0-10V input signal to 4 x 0-10V outputs in parallel or 3 x 0-10V outputs in sequence
- 0-10V or 2-10V options

The IO/AX4.1 is a multiple analogue output module that is designed to convert 1 x 0-10V input signal to 4 x 0-10V outputs in parallel or 3 x 0-10V outputs in sequence (3 stage control) with AO4 acting as a slave to AI1 for cascade control to other modules.

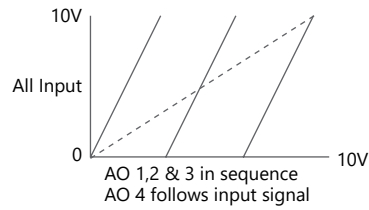
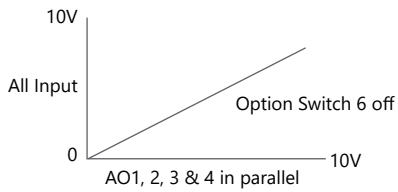
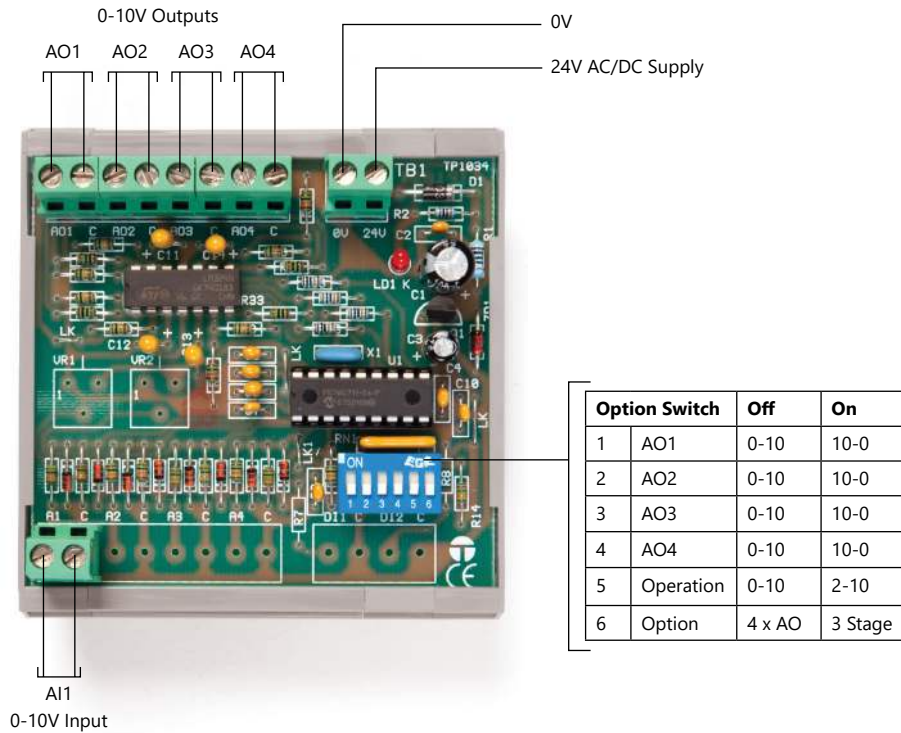
The inputs and outputs can be selected to operate on 2-10V if required. The outputs can also be individually inverted.

### SPECIFICATION

Power Supply:	24V AC/DC +/-10%
Input Control:	1 x 0-10V or 2-10V (see option selection below)
Output:	4 x 0-10V or 2-10V (rated 5mA each) Outputs can be individually inverted (See diagram for output options)
Power Consumption:	25 mA max
Terminals:	1.0mm recommended 2.5mm max
Operating Temperature:	0 to 50°C
Operating Humidity:	5-80% non-condensing
Dimensions:	85mm high, 80mm wide, 45mm deep
Mounting:	DIN Rail
Country of Origin:	UK
Product Codes:	IO/AX4.1



# CONNECTIONS



Wiring note: All 0-10V connections are common on the AX4 module

For further install and setup information please contact [technical@titanproducts.com](mailto:technical@titanproducts.com)