

Digital Input Multiplexer (DIM4)



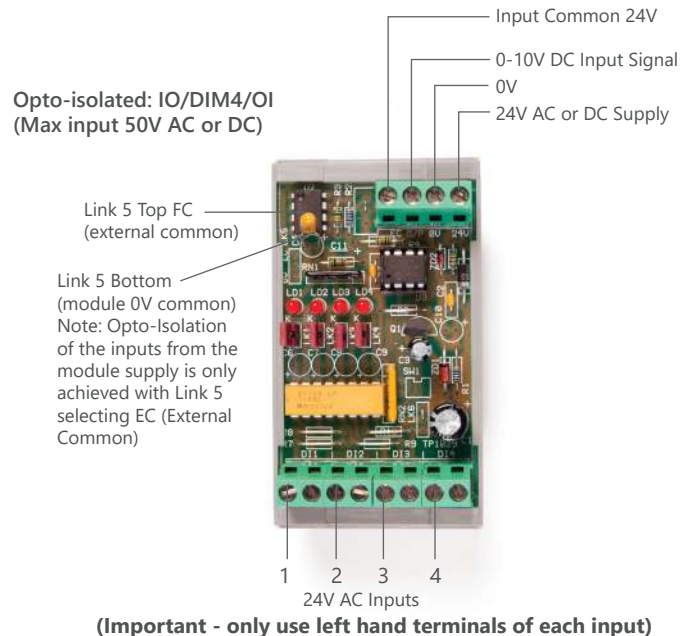
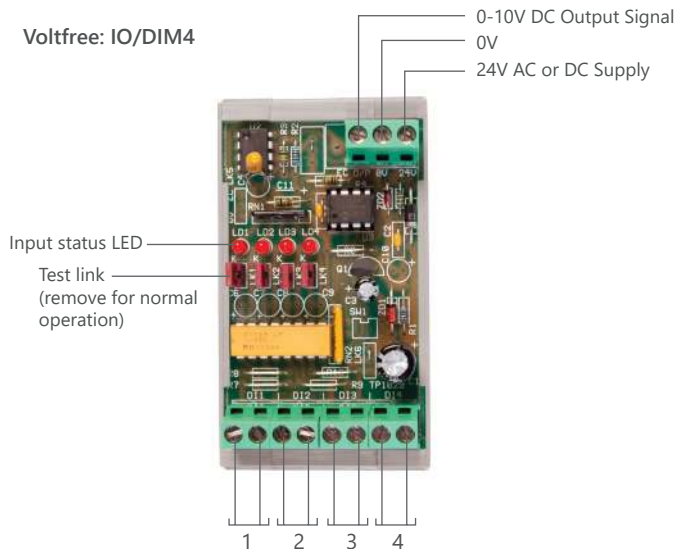
The DIM4 multiplexer is microprocessor based and designed to convert 4 separate digital input signals into a single analogue voltage output. Each combination of digital input signal is converted to an output voltage level which can then be used with a controller to read multiple status conditions.

The DIM4 multiplexer is suitable for use with most BMS controllers and is available in two versions for volt free inputs or opto-isolated inputs.

Specification

Power Supply:	24V AC/DC +/-10%
Input:	4 x Volt free contacts (or Opto-isolated)
Output:	0-10V Volts DC
Power Consumption:	5mA + 0-10V output load
Multiplex Format:	
Input Signal:	1 2 3 4
Output Voltage:	4.8V 2.4V 1.2V 0.6V (Add values in any combination)
LED Indication:	When input contact closed
Terminals:	1.0mm recommended 2.5mm max
Input Test:	Link Jumpers
Operating Temperature:	0 to 50°C
Operating Humidity:	5-80% non-condensing
Dimensions:	82mm high, 45 mm wide, 42mm deep
Mounting:	DIN Rail
Approvals:	CE / UKCA
Warranty:	24 months
Country of Origin:	UK
Product Codes:	IO/DIM4 IO/DIM4/OI (Opto-isolation)

Connections



Opto-Isolation

The IO/DIM4/OI can accept 24V AC inputs and opto-isolate the inputs from the module supply and the 0-10V signal output. Opto-isolation is selected on Link 5. If isolation is not required and the application is using a common ground supply then Link 5 can select the module 0V for the operation of the 24V AC input signals. The product code for this option is IO/DIM4/OI.