

Duct Humidity & Temperature Sensor



The Duct Mounted Humidity Sensor is designed to measure humidity conditions in ventilation ducts with options for measurement of temperature conditions.

Available with 4-20mA or 0-10V outputs for humidity and combined temperature. The sensor is supplied with a 10K3 thermistor fitted as standard with other resistive outputs available on request.

Specification

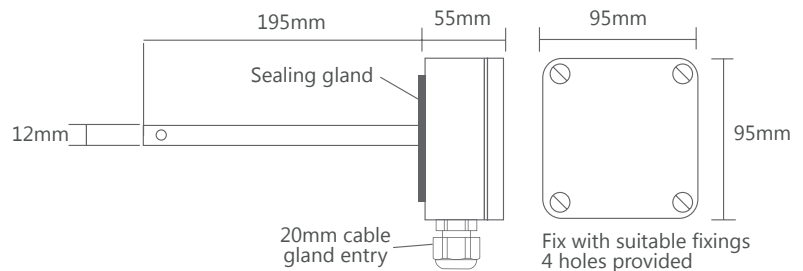
| | |
|------------------------|--|
| Material Body: | Polycarbonate |
| Probe: | Flame retardant polycarbonate |
| Sensing Elements: | Monolithic integrated circuit Alternative thermistor for temperature |
| Supply: | 18 to 30v DC for 4-20mA LP 24V AC/DC \pm 15% Voltage Sensors |
| Outputs: | 4-20mA loop powered >100 ohms 0-10V (3mA) Optional thermistor or RTD temperature |
| Output Scales Range: | Humidity 0-100% RH Temperature 0 - +50°C |
| Accuracy: | Humidity \pm 2% Temperature \pm 0.3°C |
| Operating Temperature: | -5 to + 70°C |
| Operating Humidity: | 0-95% non-condensing |
| Terminals: | 1.0mm recommended 2.5mm max |
| Country of Origin: | UK |
| Product Code: | See table |

Product Codes

| Sensor Type | Product Code |
|--|----------------|
| Duct Temp and Humidity (4-20mA Loop Powered) <i>10K3 thermistor also fitted*</i> | TPDHT-RT/10K3 |
| Duct Temp and Humidity (0-10V) <i>10K3 thermistor also fitted*</i> | TPVDHT-RT/10K3 |

*Other element types available on request.
Contact Titan Products for details and options.

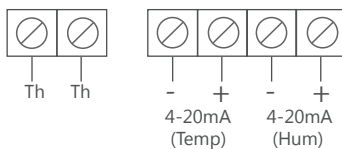
Dimensions



Connections

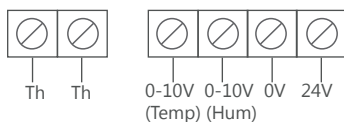
TPDHT-RT/10K3

4-20mA Humidity, 4-20mA Temperature with 10K3 Temperature

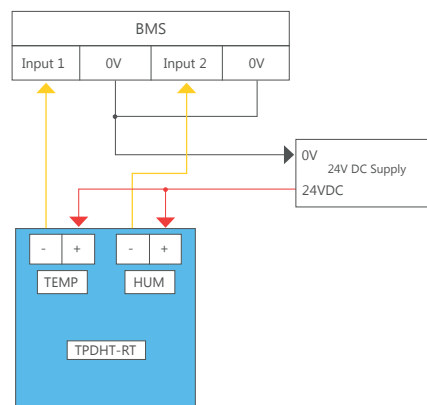


TPVDHT-RT/10K3

0-10V Humidity, 0-10V Temperature with 10K3 Temperature



Typical connection diagram for TPDHT-RT with external power supply



Typical connection diagram for TPDHT-RT with power supply from BMS controller

