



DUCT HUMIDITY & TEMPERATURE SENSOR

TPDHT/TPVDHT FEATURES

- 2% humidity accuracy
- Duct mounted
- Combined humidity and temperature
- Resistive temperature output option
- IP65 enclosure

The Duct Mounted Humidity Sensor is designed to measure humidity conditions in ventilation ducts with options for measurement of temperature conditions.

Available with 4-20mA or 0-10V outputs for humidity and combined temperature. The sensor is supplied with a 10K3 thermistor fitted as standard with other resistive outputs available on request.

SPECIFICATION

Material Body: Probe:	Polycarbonate Flame retardent polycarbonate
Sensing Elements:	Monolithic integrated circuit Alternative thermistor for temperature
Supply:	18 to 30v DC for 4-20mA LP 24V AC/DC ± 15% Voltage Sensors
Outputs:	4-20mA loop powered >100 ohms 0-10V (3mA)
Output Scales Range:	Humidity 0-100% RH Temperature 0 - +50°C
Accuracy:	Humidity ± 2% Temperature ± 0.3°C
Operating Temperature:	-5 to +70°C
Operating Humidity:	0-95% non-condensing
Terminals:	1.0mm recommended 2.5mm max
Country of Origin:	UK
Product Codes:	TPDHT-RT/10K3 (4-20mA output) TPVDHT-RT/10K3 (0-10V output)

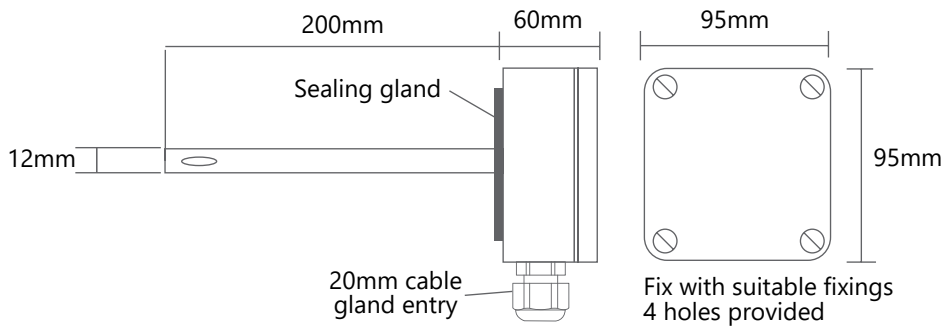


PRODUCT CODES

Sensor Type	Product Code
Duct Temp and Humidity (4-20mA Loop Powered) <i>10K3 thermistor also fitted*</i>	TPDHT-RT/10K3
Duct Temp and Humidity (0-10V) <i>10K3 thermistor also fitted*</i>	TPVDHT-RT/10K3

*Other element types available on request.
Contact Titan Products for details and options.

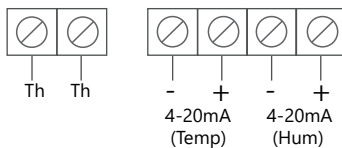
DIMENSIONS



CONNECTIONS

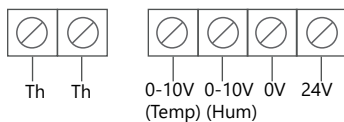
TPDHT-RT/10K3

4-20mA Humidity, 4-20mA Temperature with 10K3 Temperature

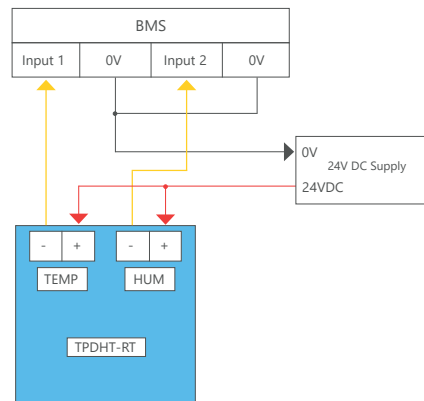


TPVDHT-RT/10K3

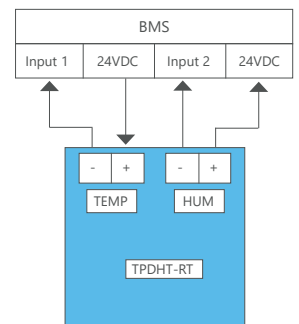
0-10V Humidity, 0-10V Temperature with 10K3 Temperature



Typical connection diagram for TPDHT-RT with external power supply



Typical connection diagram for TPDHT-RT with power supply from BMS controller



For further install and setup information please contact technical@titanproducts.com