

Outside Humidity & Temperature Sensor



The outside humidity sensor is designed to measure external relative humidity with options for measurement of temperature conditions.

Available with 4-20mA or 0-10V outputs for humidity and combined temperature. The sensor is supplied with a 10K3 thermistor fitted as standard with other resistive outputs available on request.

Specification

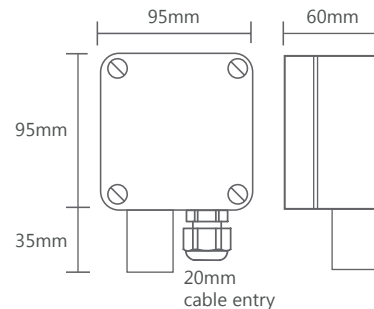
Material	Body:	Polycarbonate
	Probe:	20mm PVC tube
	Sensing Elements:	Monolithic integrated circuit
Supply:		Optional thermistor or RTD for temperature 18 to 30v DC for 4-20mA Loop Powered 24V AC/DC for 0-10V
Outputs:		4-20mA > 100 ohms 0-10V (3mA)
Output Scale Range:		Optional Thermistor or RTD for temperature Humidity 0-100% RH Temperature -20 to +50°C
Accuracy:		Humidity ± 2% Temperature ± 0.3°C
Operating Temperature:		-20 to + 50°C
Operating Humidity:		95% Non condensing
Terminals:		1.0mm recommended 2.5mm max
Location:		External away from direct sun
Dimensions	Body:	95mm high, 95mm wide, 60mm deep
Country of Origin:		UK
Product Code:		See Below

Product Codes

Sensor Type	Product Code
Outside Temp and Humidity (4-20mA Loop Powered) <i>10K3 thermistor also fitted*</i>	TPOHT-RT/10K3
Outside Temp and Humidity (0-10V) <i>10K3 thermistor also fitted*</i>	TPVOHT-RT/10K3

*Other element types available on request.
Contact Titan Products for details and options.

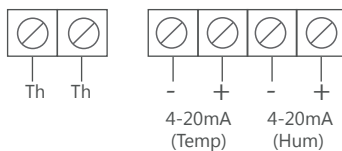
Dimensions



Connections

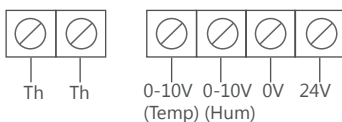
TPOHT-RT/10K3

4-20mA Humidity, 4-20mA Temperature with 10K3 Temperature

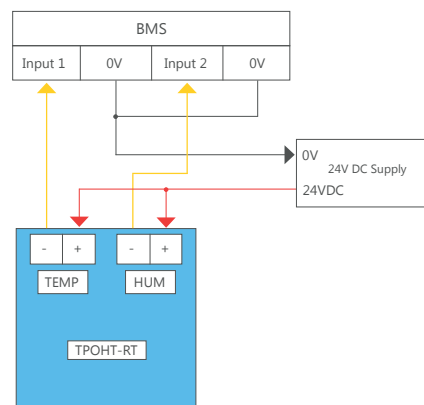


TPVOHT-RT/10K3

0-10V Humidity, 0-10V Temperature with 10K3 Temperature



Typical connection diagram for TPOHT-RT with external power supply



Typical connection diagram for TPOHT-RT with power supply from BMS controller

