



OUTSIDE HUMIDITY AND TEMPERATURE SENSOR

FEATURES

- 2% humidity accuracy
- Combined humidity and temperature monitoring
- Resistive temperature output option
- IP65 enclosure

The Outside Humidity Sensor is designed to measure external relative humidity with options for measurement of temperature conditions.

Available with 4-20mA or 0-10V outputs for humidity and combined temperature. The sensor is supplied with a 10K3 thermistor fitted as standard with other resistive outputs available on request.

SPECIFICATION

Material:	Body: Polycarbonate Probe: 20mm PVC tube Sensing Elements: Monolithic integrated circuit Optional thermistor or RTD for temperature
Supply:	18 to 30v DC for 4-20mA Loop Powered 24V AC/DC for 0-10V
Outputs:	4-20mA > 100 ohms 0-10V (3mA) Optional Thermistor or RTD for temperature
Output Scale Range:	Humidity 0-100% RH Temperature -20 to +50°C
Accuracy:	Humidity ± 2% Temperature ± 0.3°C
Operating Temperature:	-20 to +50°C
Operating Humidity:	95% Non condensing
Mounting Location:	External away from direct sun
Terminals:	1.0mm recommended 2.5mm max
Dimensions:	H95 x W95 x D60 mm
Country of Origin:	UK
Product Codes:	See table

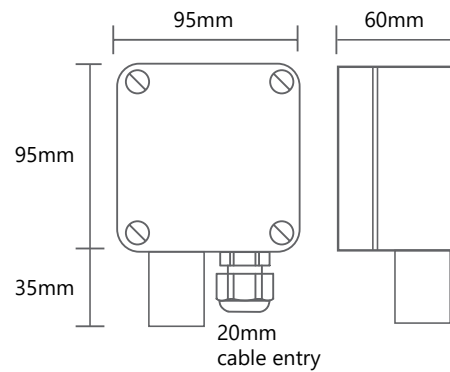


PART CODES

Sensor Type	Product Code
Outside Temp and Humidity (4-20mA Loop Powered) <i>10K3 thermistor also fitted*</i>	TPOHT-RT/10K3
Outside Temp and Humidity (0-10V) <i>10K3 thermistor also fitted*</i>	TPVOHT-RT/10K3

*Other element types available on request.
Contact Titan Products for details and options.

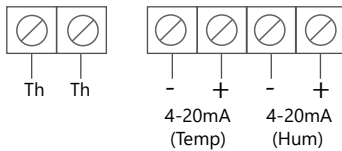
DIMENSIONS



CONNECTIONS

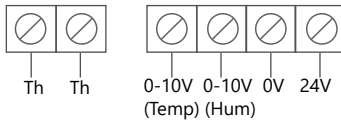
TPOHT-RT/10K3

4-20mA Humidity, 4-20mA Temperature with 10K3 Temperature

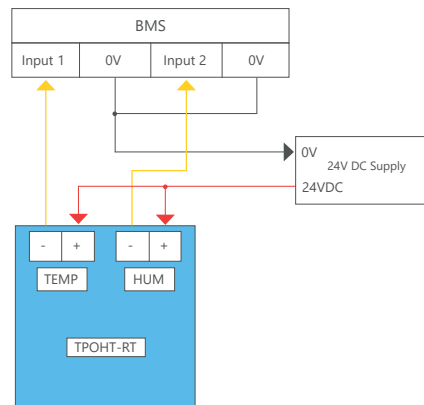


TPVOHT-RT/10K3

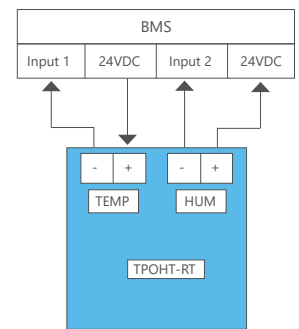
0-10V Humidity, 0-10V Temperature with 10K3 Temperature



Typical connection diagram for TPOHT-RT with external power supply



Typical connection diagram for TPOHT-RT with power supply from BMS controller



INSTALLATION AND MAINTENANCE

- The sensors should be installed by a qualified engineer.
- The sensor should be placed in a position to best represent the temperature/humidity.

For further install and setup information please contact technical@titanproducts.com