

Room Humidity & Temperature Sensor



The wall mounted Room Humidity and Temperature Sensor is designed to measure internal temperature and relative humidity.

The sensor is available with 4-20mA loop powered or 0-10V outputs for humidity and combined temperature. The sensor is supplied with a 10K3 thermistor fitted with other resistive outputs available on request.

Specification

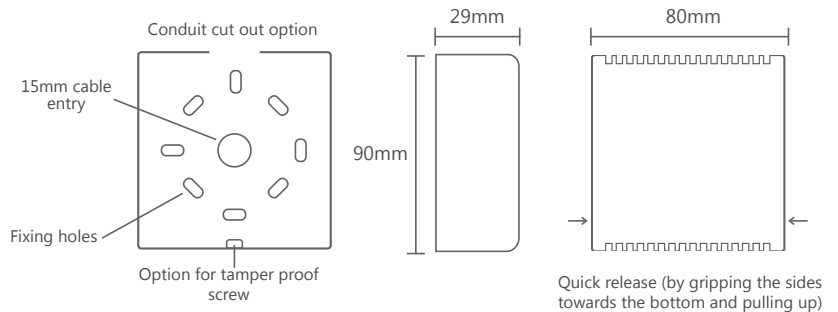
Material Body:	Flame Retardant Polycarbonate
Sensing Elements:	Monolithic integrated circuit Alternative Thermistor or RTD for temperature
Supply:	18 to 30v DC for 4-20mA LP 24V AC/DC \pm 15% Voltage Sensors
Outputs:	4-20mA loop powered > 100 ohms 0-10V (3mA) Optional Thermistor or RTD temperature
Output Scale Range:	Humidity 0-100% RH Temperature 0-50 °C
Accuracy:	Humidity \pm 2% Temperature \pm 0.3°C
Operating Temperature:	-5 to + 70°C
Operating Humidity:	0-95% Non condensing
Terminals:	1.0mm recommended 2.5mm max
Dimensions:	90mm high, 80mm wide, 29mm deep
Country of Origin:	UK
Product Code:	See Below

Product Codes

Sensor Type	Product Code
Room Temp and Humidity (4-20mA Loop Powered) <i>10K3 thermistor also fitted*</i>	TPRHT-RT/10K3
Room Temp and Humidity (0-10V) <i>10K3 thermistor also fitted*</i>	TPVRHT-RT/10K3

*Other element types available on request.
Contact Titan Products for details and options.

Dimensions

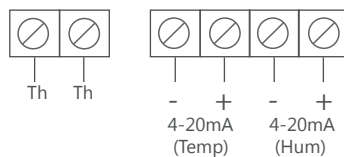


Connections

If only humidity monitoring is required there is no need to wire into the temperature terminals

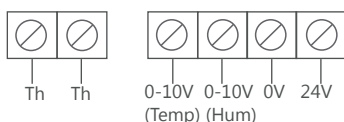
TPRHT-RT/10K3

4-20mA Humidity, 4-20mA Temperature with 10K3 Temperature

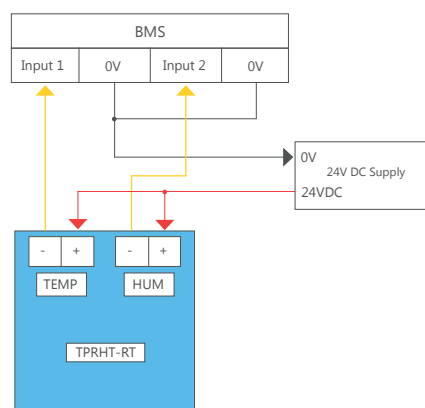


TPVRHT-RT/10K3

0-10V Humidity, 0-10V Temperature with 10K3 Temperature



Typical connection diagram for TPRHT-RT with external power supply



Typical connection diagram for TPRHT-RT with power supply from BMS controller

