



## CENTRAL CONTROL SCREEN (CCS-7)

### CCS-7 FEATURES

- Multi-zone comfort control user interface
- 7" capacitive touch screen
- Wi-Fi and ethernet communication options
- Fully compatible with Titan NetMaster 2000 and FCU-503 comfort controls solution
- Branding options available

The CCS-7 Central Control Screen provides a high performance, intuitive, multi-zone user experience for comfort control and energy monitoring applications when utilised alongside the Titan Products NetMaster 2000 range and FCU-503 comfort controllers.

Utilising a fully capacitive 7" touch screen, the CCS-7 offers adjustment of all comfort conditions within a property and allows the user to:

- Set different time schedules for each zone
- Set different temperatures for each time schedule event
- Set multiple time scheduling events for each day
- Set holiday off time periods, with frost protection and temperature limit options

Option for energy monitoring usage and historical data when used with the Titan Energy Monitoring software module.

Available in white or black finishes, the CCS-7 is provided with a wall bracket for ease of installation.

### SPECIFICATION

Operating System:	Android
Display:	7" IPS Display
Display Resolution:	1024 x 600
CPU:	8-core ARM Cortex CPU, 1.2Ghz
Power Supply:	9-36V DC
Network Connection:	Ethernet IP (RJ45) Wi-Fi option available (802.11 b/g/n)
Ethernet Interface:	RJ45
Software Run Mode:	Auto-boot when powered
Operating Temperature:	5 - 50°C
Operating Humidity:	5 - 80% RH non-condensing
Mounting:	Mounting bracket supplied
Product Code:	TP-CCS-7-B (Black) TP-CCS-7-W (White)

**Note:** The RDU-Touch is designed for use with Titan Products BACnet controllers only. Contact Titan Products for full compatibility details.

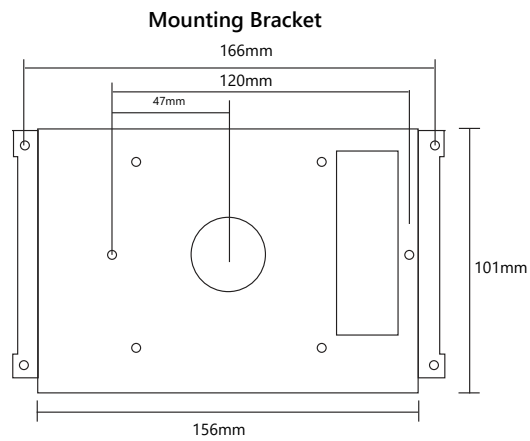
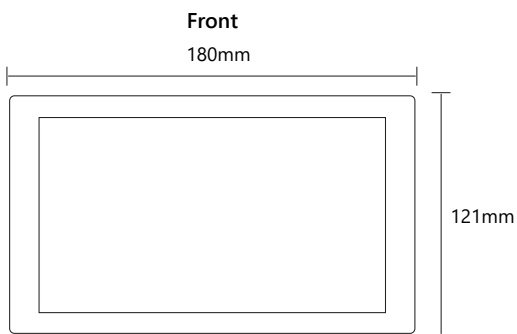


## FINISHES

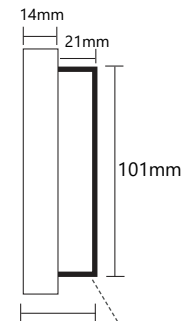


Available in black or white finishes.

## DIMENSIONS



**Side View**  
CCS with bracket



Mounting bracket  
(can be fitted to double gang  
back box or flush within wall)

For further install and setup information please contact [technical@titanproducts.com](mailto:technical@titanproducts.com)