



BLACK BULB TEMPERATURE SENSOR

TP-RS-BB FEATURES

- Specifically designed to measure the temperature of radiant heating systems
- Compatible with most leading BMS controls

SPECIFICATION

Material:	ABS (Flame retardant)
Output:	Resistive
Accuracy:	See table
IP Protection:	IP20
Mounting Location:	Wall mounted 1.5m from floor level
Environmental Conditions:	-10 to +60°C 0-95% RH Non-Condensing
Connections:	Pluggable screw terminals for 0.3 to 1.5mm cable
Recommended Cable:	Screened, twin twisted pair 0.75mm to 1mm. Screen earthed at controller end only.
Country of Origin:	UK
Product Codes:	See table

Our Black Bulb Temperature Sensor is designed to measure the space temperature within a wide range of commercial, healthcare and educational applications where radiant heating panels are being used as the chosen source of heating.

The sensor is available with a range of temperature measurement elements.

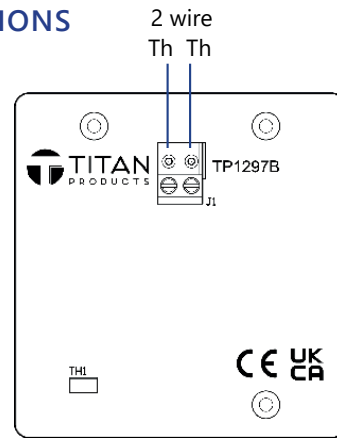


THERMISTOR OPTIONS

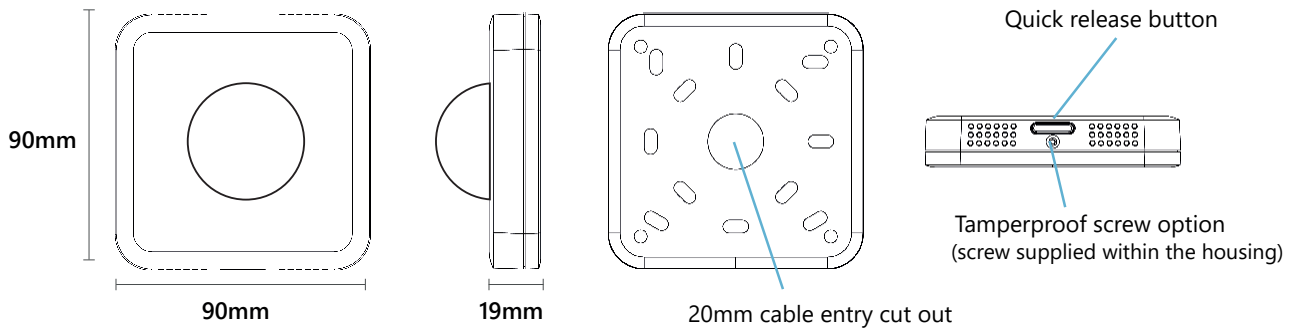
Element Type	Product Codes	Accuracy
10K3A1	TP-RS-BB-10K3	+/- 0.2°C
10K4A1	TP-RS-BB-10K4	+/- 0.2°C
20K6A1	TP-RS-BB-20K6	+/- 0.2°C
NI1000	TP-RS-BB-NI1000	+/- 0.3°C
PT1000	TP-RS-BB-PT1000	+/- 0.3°C

Other element types available on request. Contact Titan Products for details and options.

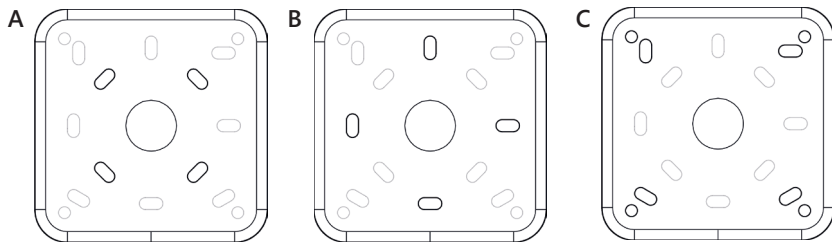
CONNECTIONS



DIMENSIONS



Mounting Options



Option:	Mounting type:	Screw required:
A	Standard UK back box	M3.5 countersunk screw
B	Standard European back box	M3.5 countersunk screw
C	Direct to wall (no back box)	No. 6 (3.5mm counter-sunk wood screw)

INSTALLATION AND MAINTENANCE

- The sensors should be installed by a qualified engineer.
- The room sensor should be mounted in the space at approximately 1.5m from floor level.
- Mount away from the effects of direct sunlight, radiators and supply air ducts.
- Sensor cables should be segregated from any mains carrying conductors and electrical noise emitting equipment such as fluorescent lighting.
- Do not spray any liquid or cleaning products directly onto the ventilated housing.
- Do not obstruct air flow vents.
- Ensure correct screw sizes are used.

For further install and setup information please contact technical@titanproducts.com