



DISCREET TEMPERATURE SENSOR

TPFMTS FEATURES

- Discreet mounting
- Anti-ligature properties
- Only 25mm
- Easy install
- Wide range of sensing elements available

The Flush Mounted Temperature Sensor is designed to be wall mounted and offers discreet indoor temperature sensing.

The sensor can be skimmed and painted over to match any wall colour making it perfect for any residential, commercial or public building application where a discreet finish is required.

The sensor is also anti-ligature making it suitable for applications such as prisons and hospitals.

The TPFMTS is available with a wide range of thermistor elements. The 10K3 version is fully compatible with Titan Products Temperature Controllers.

SPECIFICATION

Material Body:	Low density polyethylene
Sensing Elements:	All NTC, PT100 and PT1000 thermistor types available
Accuracy:	See table
Operating Temperature:	-10 to +70°C
Terminals:	1.0mm recommended 2.5mm max
Location:	Wall mounted
Dimensions (mm):	25mmH x 25W x 40D (shoulder of sensor designed to fit a 20mm hole)
Country of Origin:	UK
Product Code:	TPFMTS (terminal block version) TPFMTS/FI (flying lead version)



THERMISTOR OPTIONS

Element Type	Product Codes (Terminal)	Product Codes (Flying Lead)	Accuracy
10K3A1	TPFMTS/10K3	TPFMTS/FL/10K3	+/- 0.2°C
10K4A1	TPFMTS/10K4	TPFMTS/FL/10K4	+/- 0.2°C
20K6A1	TPFMTS/20K6	TPFMTS/FL/20K6	+/- 0.2°C
NI1000	TPFMTS/NI1000	TPFMTS/FL/NI1000	+/- 0.3°C
PT1000	TPFMTS/PT1000	TPFMTS/FL/PT1000	+/- 0.3°C

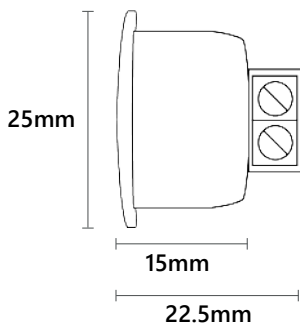
Other element types available on request.
Contact Titan Products for details and options.

INSTALLATION

For best results ensure the sensor head is exposed to the measured space. If skimming over the sensor please ensure the skim is no more than 3mm thick.

Skimming over the sensor will impact on the sensor response time to temperature changes within the space.

DIMENSIONS



The TPFMTS is also available with a 2 wire, resistive flying lead assembly (TPFMTS/FL). The flying lead is 5m as standard however other lengths are available.



For further install and setup information please contact technical@titanproducts.com