



EXTERNAL LIGHT LEVEL (4-20mA or 0-10V output)

TPLLO / TPVLLLO FEATURES

- Selectable ranges
- IP65 enclosure
- 24V AC/DC supply
- 0-10V and 4-20mA output options available
- Compatible with most leading BMS controls

The External Light Level Sensors are designed to measure external light levels for applications such as car parks and security lighting. The sensor housing is rated at IP65 for use in all weather conditions.

With outputs of 4-20mA or 0-10V the light level sensor is multi-range which is selectable at the time of installation. The sensors are suitable for use with most BMS controllers.

SPECIFICATION

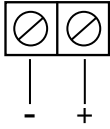
Power Supply:	4-20mA: 12-30V DC 0-10V: 24V AC or DC +/- 10%
Output:	4-20mA or 0-10V
Measurement:	Photodiode
Material:	Flame retardant polycarbonate (IP65)
Terminals:	1.0mm recommended 2.5mm max
Operating Temperature:	-50 to 50°C
Dimensions:	65mm high, 50mm wide, 36mm deep
Mounting:	External where required
Country of Origin:	UK
Product Codes:	TPLLO (4-20mA) TPVLLLO (0-10V)



CONNECTIONS

TPLLO

2 wire loop powered 4-20mA (bi-directional)

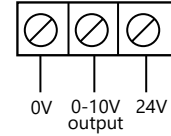


Input Impedance > 100 ohms

TPVLL0

3 wire 0-10V 24C AC/DC

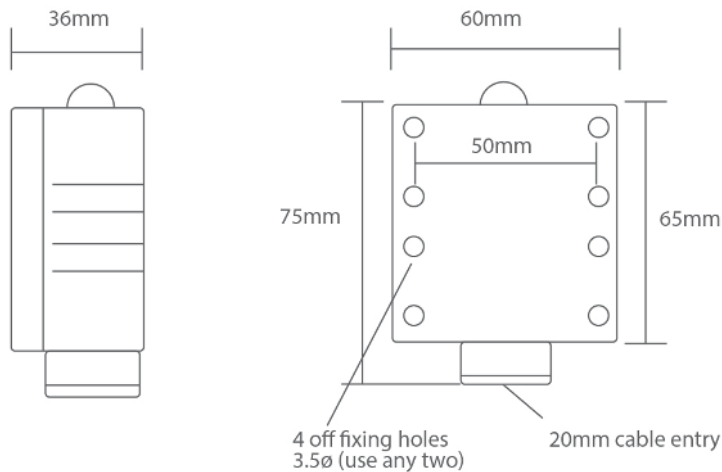
3 wire
0-10V
24V AC/DC
24V SIG OV



SELECTABLE RANGES

Range 1	0-1000 Lux
Range 2	0-2000 Lux
Range 3	0-4000 Lux
Range 4	0-8000 Lux
Range 5	0-20000 Lux

DIMENSIONS



For further install and setup information please contact technical@titanproducts.com