



## OUTSIDE TEMPERATURE SENSOR

### TPOS FEATURES

- Compatible with most leading BMS systems
- Encapsulated to protect against condensation
- Secure IP65 enclosure

The Titan Products Outside Temperature Sensor is designed for the measurement of external temperature conditions. The sensors enclosure is IP65 with the sensor element being encapsulated to prevent the influence of condensation in low temperature conditions.

The sensor is available with a range of temperature measurement elements.

### SPECIFICATION

Material:	Body: Flame retardant polycarbonate
Sensing Elements:	See table
Accuracy:	+/-0.2°C @ 70°C thermistor +/-0.4°C (4-20mA) +/-0.5°C (0-10V)
Operating Temperature:	-50 to +70°C
Terminals:	1.0mm recommended 2.5mm max
Mounting Location:	North facing wall not influenced by direct sunlight
Dimensions:	H65 x W60 x D36 mm
Protection:	IP65
Country of Origin:	UK
Product Codes:	See table



## THERMISTOR OPTIONS

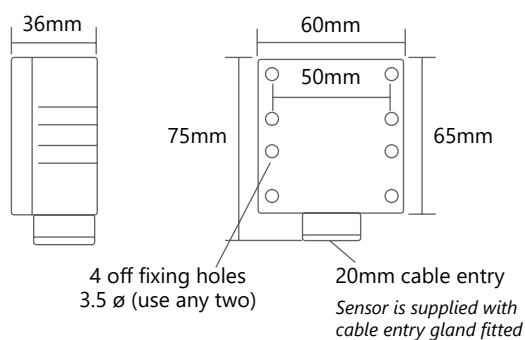
Element Type	Product Code	Accuracy
10K3A1	TPTOS	+/- 0.2°C
10K4A1	TPAOS	+/- 0.2°C
20K6A1	TPHOS	+/- 0.2°C
Ni1000	TPOS/Ni1000	+/- 0.3°C
PT1000	TPPT3OS	+/- 0.3°C
4-20mA	TPOS/50 (-10 - +50°C)*	+/- 0.4°C
0-10V	TPVOS (-10 - +40°C)*	+/- 0.5°C

\* Other ranges available on request.

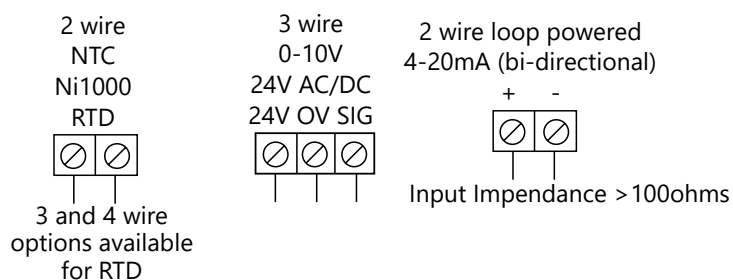
Other thermistor types available on request.  
Contact Titan Products for details and options.

The 10K3A1 range of environmental sensors can be used with all Titan BACnet controllers

## DIMENSIONS



## CONNECTIONS



## INSTALLATION AND MAINTENANCE

- The sensors should be installed by a qualified engineer.
- The sensor should be placed in a position to best represent the temperature.

For further install and setup information please contact [technical@titanproducts.com](mailto:technical@titanproducts.com)